



**LEVANTÉ**<sup>®</sup>  
ALUMINUM ARCHITECTURAL COMPONENTS

**LEVANTÉ, LLC**  
901 NORTHVIEW ROAD  
SUITE 100  
WAUKESHA, WISCONSIN 53188

Project Name:

Part Name:

FINISHING ANGLE

Used on assembly:

Part No.:

LDFA219

Drawing Number:

AL-13905-B

REVISIONS

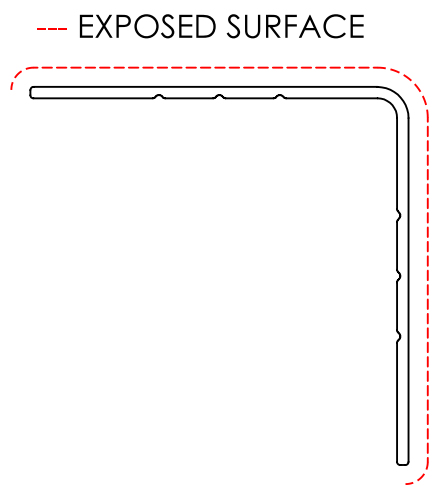
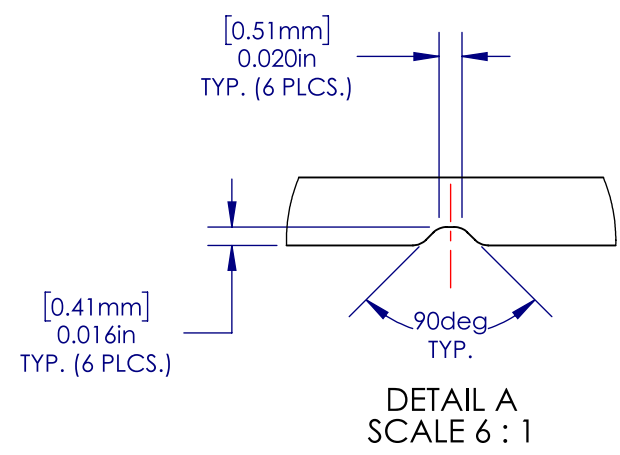
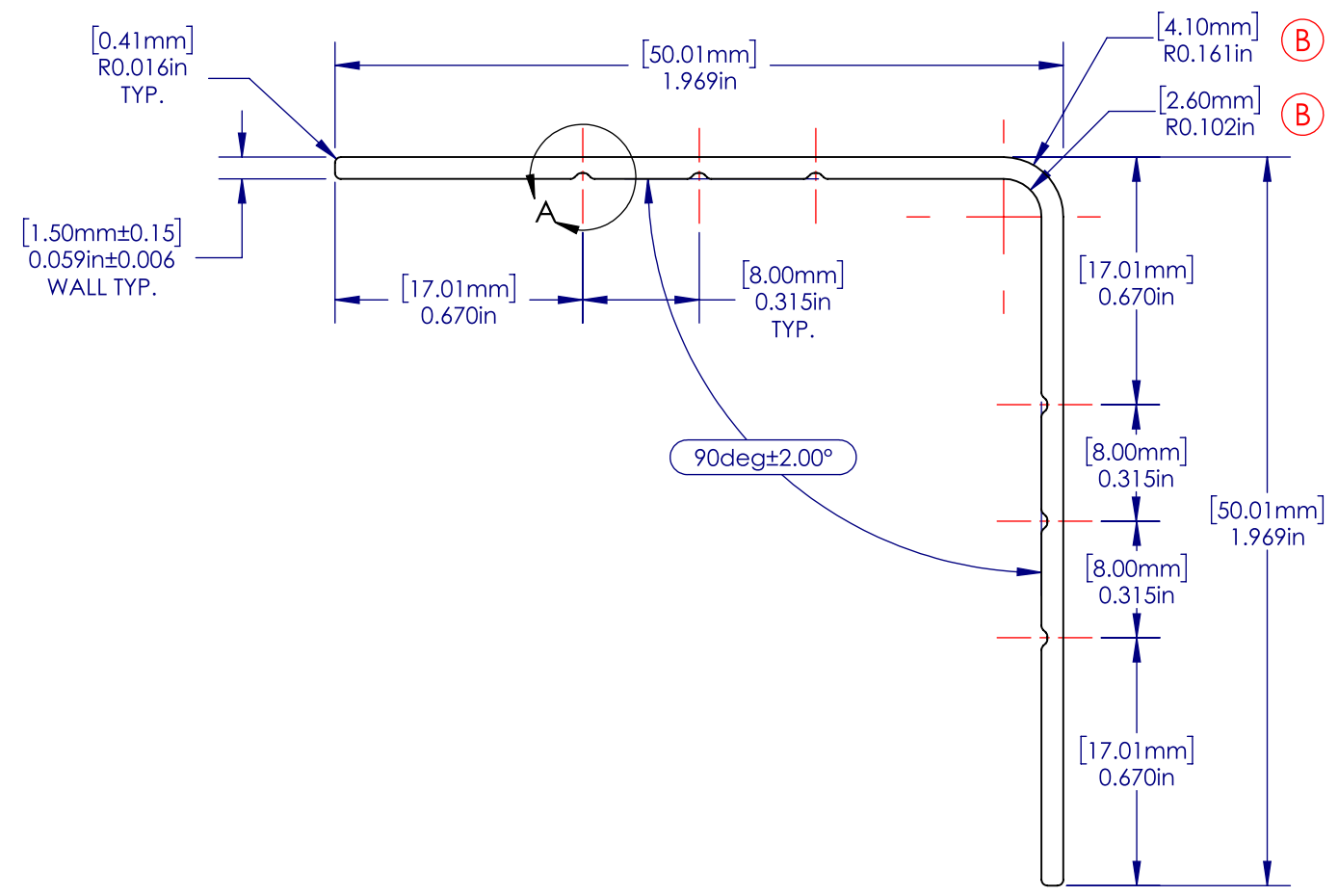
REV.	DESCRIPTION	DATE	APPROVED
B	CORNER RADIUS HAVE BEEN MODIFIED FROM R0.394" [10.00mm] TO R0.161" [4.10mm] AS PER CUSTOMER'S REVISION NOTES	6/29/2020	EASS



EXTRUSION PROFILE  
SCALE 1:1

NOTES:

1. EXTRUSION SHALL BE STRAIGHT WITHIN 1.1mm PER 1M [0.015"/FOOT]
2. EXTRUSION TWIST 1.0DEG PER 1M [1.0DEG/FOOT]
3. EXTRUSION CROSS SECTIONAL AREA IS 0.2218 sq.in. [143.12mm sq.]
4. ALL RADII & FILLET RADIUS TO BE R0.016" [0.41mm] UNLESS OTHERWISE SPECIFIED
5. SECTIONAL MATERIAL THICKNESS 0.059"±0.006" [1.50mm±0.15mm] UNLESS OTHERWISE SPECIFIED
6. CRITICAL DIMENSIONS ARE SHOWN WITHIN ( )
7. REFERENCE DIMENSIONS ARE SHOWN WITHIN ( )
8. ALL DIMENSIONS ARE FINISHED PART DIMENSIONS
9. ALL DIMENSIONS AND TOLERANCES ARE TO BE INTERPRETED ACCORDING TO ASME Y14.
10. SURFACE FINISH AS PER CUSTOMER'S PURCHASE ORDER



EXTRUSION PROFILE  
SCALE 1:1

WEIGHT/LENGTH	0.391	kg/m	0.263	lbs./ft.
AREA	143.12	sq. mm	0.2218	sq. in.
TOTAL PERIMETER	198.08	mm	7.7983	in.
OUTSIDE PERIMETER	198.08	mm	7.7983	in.
EXPOSED PERIMETER	98.73	mm	3.887	in.

PROPRIETARY AND CONFIDENTIAL  
THE INFORMATION CONTAINED IN THIS DRAWING IS THE SOLE PROPERTY OF ALWOOD LLC. ANY REPRODUCTION IN PART OR AS A WHOLE WITHOUT THE WRITTEN PERMISSION OF ALWOOD LLC IS PROHIBITED.

UNLESS OTHERWISE SPECIFIED: DIMENSIONS ARE IN INCHES [MM] TOLERANCES:		NAME	DATE		
MILLIMETERS	INCHES	DRAWN	EASS		06/28/20
X = ±1	[.X = ±0.1]	CHECKED			
.X = ±.25	[.XX = ±0.01]	ENG APPR.			
.XX = ±10	[.XXX = ±0.005]	MFG APPR.			
ANGLES	∠ = ± 1°	Q.A.			
FRACTIONS	X/X = ±1/64	COMMENTS:			
INTERPRET GEOMETRIC TOLERANCING PER:					
MATERIAL	6063-T5				
FINISH	Powder Coat				
NEXT ASSY	USED ON				
APPLICATION	DO NOT SCALE DRAWING				

TITLE: <b>Finishing Angle</b>		
SIZE	PART NO.	REV
<b>B</b>	LDFA219	<b>B</b>
SCALE: 2:1	WEIGHT: 0.260	SHEET 2 OF 2