



**LEVANTÉ<sup>®</sup>**  
ALUMINUM ARCHITECTURAL COMPONENTS

**LEVANTÉ<sup>®</sup>, LLC**  
901 NORTHVIEW ROAD  
SUITE 100  
WAUKESHA, WISCONSIN 53188

Project Name:

H.M.L.

Part Name:

INFILL SMALL

Used on assembly:

Part No.:

LI119

Drawing Number:

AL-13617-A

REVISIONS

REV.

DESCRIPTION

DATE

APPROVED



EXTRUSION PROFILE  
SCALE 5:1

4

3

2

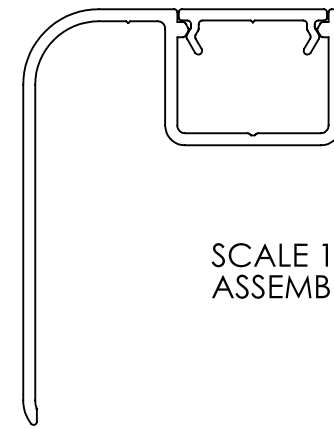
1

NOTES:

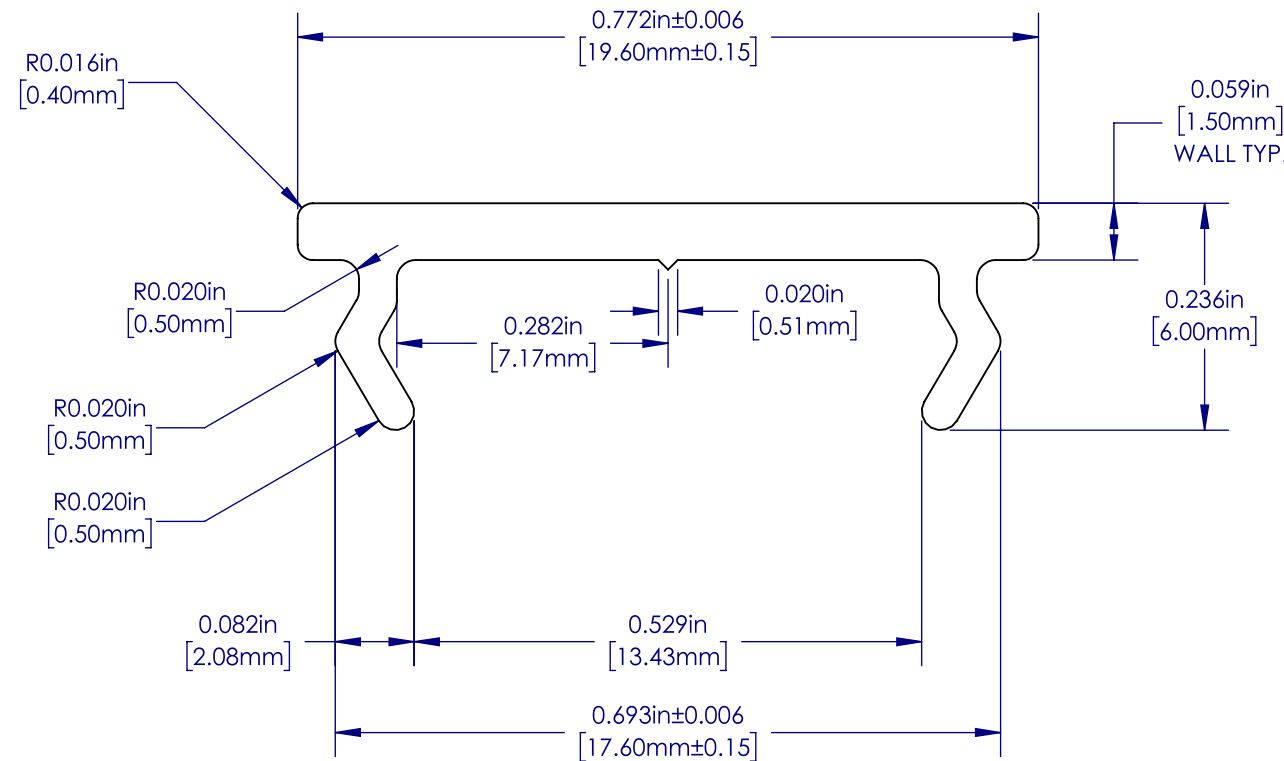
- 1. EXTRUSION SHALL BE STRAIGHT WITHIN 1.1mm PER 1M [0.015"/FOOT]
- 2. EXTRUSION TWIST 1.0DEG PER 1M [1.0DEG/FOOT]
- 3. EXTRUSION CROSS SECTIONAL AREA IS 39.26 mm sq. [0.0608 sq. in.]
- 4. ALL RADII & FILLET RADIUS TO BE 0.40mm [0.016"] UNLESS OTHERWISE SPECIFIED
- 5. SECTIONAL MATERIAL THICKNESS 1.50mm [0.059"] UNLESS OTHERWISE SPECIFIED
- 6. ALL DIMENSIONS INTERPRETED ACCORDING TO ASME Y14.
- 7. ALL TOLERANCES ARE BASED ON EN 755-9:2001

LDCF219 - Finishing Trim

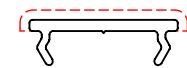
LI119 - Finishing Concealer



SCALE 1:1  
ASSEMBLY DETAIL



--- EXPOSED SURFACE



EXTRUSION PROFILE  
SCALE 1:1

Material	6063-T5		
Density	2700.00 KG/M <sup>3</sup>	167.56 LB/FT <sup>3</sup>	
Weight/Length	0.106 KG/MT	0.071 LB/FT	

AREA	39.26	sq. mm	0.061	sq. in.
PERIMETER	59.62	mm	2.3471	in.
EXPOSED PERIMETER	59.62	mm	2.3471	in.

PROPRIETARY AND CONFIDENTIAL  
THE INFORMATION CONTAINED IN THIS  
DRAWING IS THE SOLE PROPERTY OF  
ALWOOD LLC. ANY REPRODUCTION  
IN PART OR AS A WHOLE  
WITHOUT THE WRITTEN PERMISSION OF  
ALWOOD LLC IS PROHIBITED.

UNLESS OTHERWISE SPECIFIED:  
DIMENSIONS ARE IN INCHES [MM]  
TOLERANCES:  
MILLIMETERS INCHES  
X = ±1 [.X = ± 0.1]  
.X = ± .20 [.XX = ± 0.01]  
.XX = ± 10 [.XXX = ± 0.005]

ANGLES  
∠ = ± 1°  
FRACTIONS  
X/X = ± 1/64

INTERPRET GEOMETRIC  
TOLERANCING PER:  
MATERIAL  
6063-T5

FINISH

DO NOT SCALE DRAWING

NEXT ASSY

USED ON

APPLICATION

	NAME	DATE
DRAWN	EASS	7/17/19
CHECKED		
ENG APPR.		
MFG APPR.		
Q.A.		
COMMENTS:		



TITLE:  
**Finishing Concealer**

SIZE	PART NO.	REV
B	LI119	A
SCALE: 5:1	WEIGHT: 0.07	SHEET 2 OF 2

4

3

2

1

B

B

A

A