



**LEVANTÉ<sup>®</sup>**  
ALUMINUM ARCHITECTURAL COMPONENTS

**LEVANTÉ<sup>®</sup>, LLC**  
901 NORTHVIEW ROAD  
SUITE 100  
WAUKESHA, WISCONSIN 53188

Project Name:

Part Name:

150mm STANDARD BOARD

Used on assembly:

Part No.:

LS619

Drawing Number:

AL-13622-A

REVISIONS

REV.

DESCRIPTION

DATE

APPROVED



EXTRUSION PROFILE  
SCALE 1:1

4

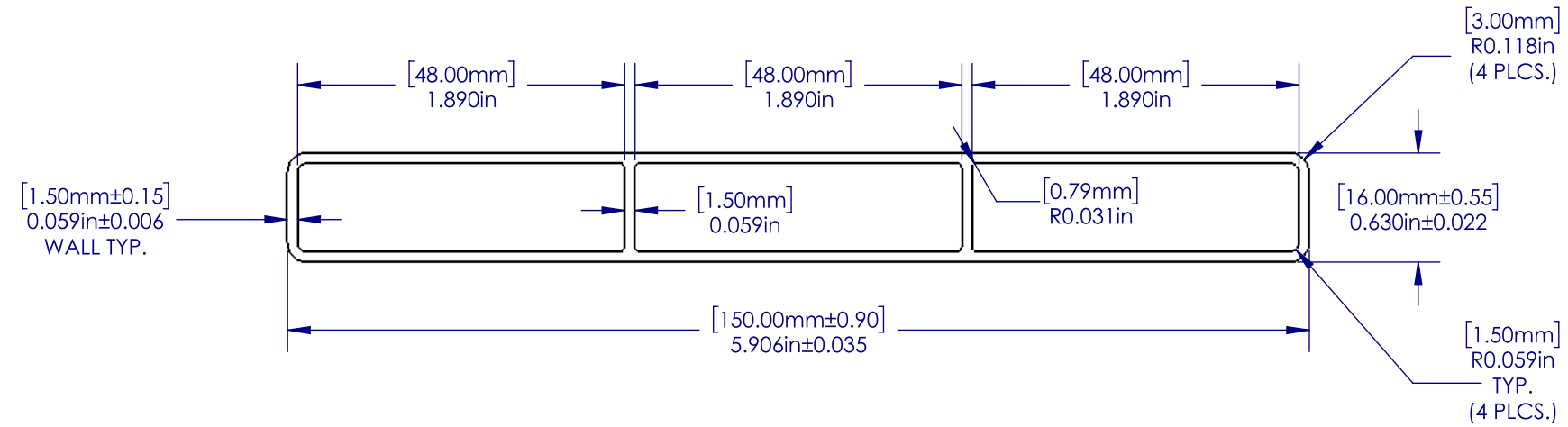
3

2

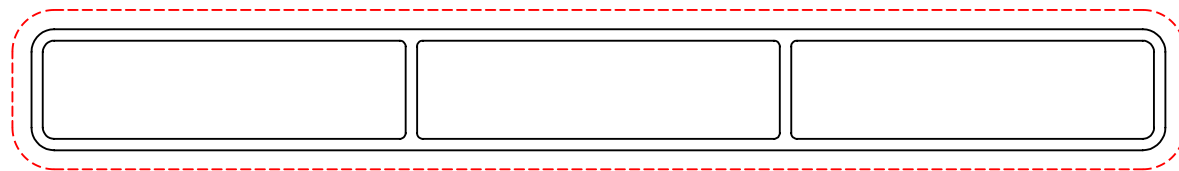
1

NOTES:

- 1. EXTRUSION SHALL BE STRAIGHT WITHIN 1.1mm PER 1M [0.015"/FOOT]
- 2. EXTRUSION TWIST 1.0DEG PER 1M [1.0DEG/FOOT]
- 3. EXTRUSION CROSS SECTIONAL AREA IS 0.8111 sq.in. [523.27mm sq.]
- 4. ALL RADII & FILLET RADIUS TO BE R0.031" [0.79mm] UNLESS OTHERWISE SPECIFIED
- 5. SECTIONAL MATERIAL THICKNESS 0.059"±0.006" [1.50mm±0.15mm] UNLESS OTHERWISE SPECIFIED
- 6. CRITICAL DIMENSIONS ARE SHOWN WITHIN
- 7. REFERENCE DIMENSIONS ARE SHOWN WITHIN ( )
- 8. ALL DIMENSIONS ARE FINISHED PART DIMENSIONS
- 9. ALL DIMENSIONS AND TOLERANCES ARE TO BE INTERPRETED ACCORDING TO ASME Y14.



--- EXPOSED SURFACE



EXTRUSION PROFILE  
SCALE 1:1

WEIGHT/LENGTH	1.429	kg/m	0.960	lbs./ft.
AREA	523.27	sq. mm	0.8111	sq. in.
TOTAL PERIMETER	687.57	mm	27.0698	in.
OUTSIDE PERIMETER	326.85	mm	12.8681	in.
EXPOSED PERIMETER	326.85	mm	12.8681	in.

PROPRIETARY AND CONFIDENTIAL  
THE INFORMATION CONTAINED IN THIS  
DRAWING IS THE SOLE PROPERTY OF  
ALWOOD LLC. ANY REPRODUCTION  
IN PART OR AS A WHOLE  
WITHOUT THE WRITTEN PERMISSION OF  
ALWOOD LLC IS PROHIBITED.

		UNLESS OTHERWISE SPECIFIED: DIMENSIONS ARE IN INCHES [MM] TOLERANCES:		NAME	DATE	
		MILLIMETERS	INCHES	EASS	05/26/20	
		X = ±1	[.X = ± 0.1]	DRAWN		TITLE:
		.X = ± .25	[.XX = ± 0.01]	CHECKED		<h1>150mm Standard Board</h1>
		.XX = ± 10	[.XXX = ± 0.005]	ENG APPR.		
		ANGLES ∠ = ± 1°		MFG APPR.		
		FRACTIONS X/X = ± 1/64		Q.A.		SIZE PART NO.
		INTERPRET GEOMETRIC TOLERANCING PER:		COMMENTS:		B LS619
		MATERIAL				REV
		6063-T5				A
		FINISH				SCALE: 1:1 WEIGHT: 0.949 SHEET 2 OF 2
		Powder Coat				
NEXT ASSY	USED ON	APPLICATION				
		DO NOT SCALE DRAWING				

4

3

2

1

B

B

A

A